

SERIES PRE
PROPORTIONAL PRESSURE
REGULATOR WITH
COILVISION TECHNOLOGY

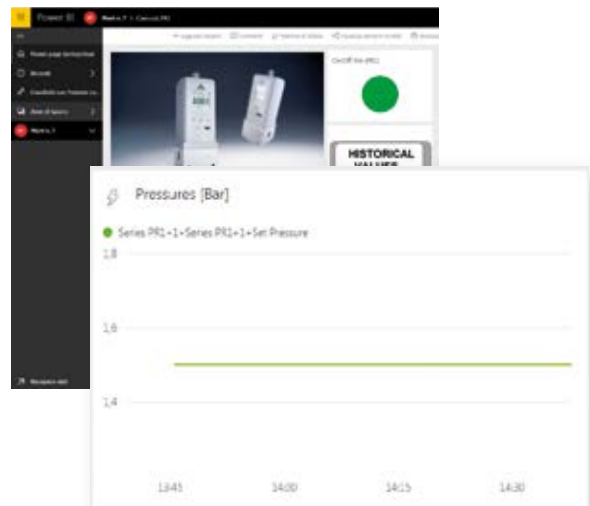


SERIES PRE PRESSURE UNDER CONTROL WITH DIAGNOSIS THROUGH THE CLOUD



COILVISION
TECHNOLOGY

The Series PRE proportional pressure regulator is equipped with a new technology, COILVISION, which constantly monitors the operation of the solenoids in the regulator and prevents possible malfunctions. All data coming from the regulator can be transmitted wirelessly to the cloud, aggregated and used in order to view the operational efficiency of the regulator by means of a dashboard.

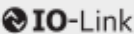


The Series PRE is available in two sizes and in different configurations, including IO-Link connectivity.

As well as the standard options with and without display, there is a version with an integrated exhaust valve, which enables the system to exhaust even without a power supply.

A manifold version enables the control of several outlets with only one inlet, while a version with external sensor connections is available for applications where there is a requirement to monitor the pressure of aggressive gases or liquids.

Technical Characteristics

- Two sizes: PRE104 – 1100 l/min
PRE238 – 3500 l/min
- IO-Link version




BENEFITS



Integrated diagnostics and predictivity



Compatible with OXYGEN



Control parameters can be customised

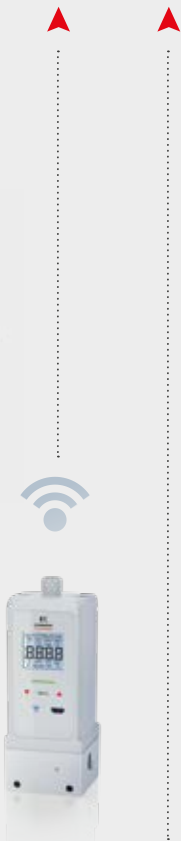


Configuration flexibility

CLOUD
Data ingestion
& Data mining



Series D
Valve island

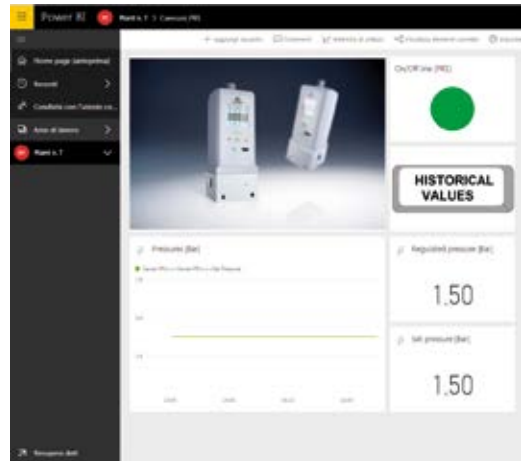


Series PRE
Pressure
regulator



Series DRCS
Drive for motors

Data management Camozzi Digital



DIAGNOSTIC CHARACTERISTICS



ON/OFF status
of the solenoids



**Detection of mobile
plunger's movement**
PATENT PENDING



**Indication of health status,
overall efficiency and
remaining operation time
for maintenance**



**Datalogging of operation
and events**



Interrupted solenoid



Working hours



Temperature monitoring



**Detection of short circuit
or abnormal
power consumption**

General data

Standard of reference	CE; Rosh; UL; ATEX
Controlled quantity	pressure
Number of ways	3/2
Flow (Kv, Qn)	PRE104 - 1100 l/min PRE238 - 3500 l/min
Media	air and oxygen
Min & Max regulated pressure (bar)	0,1 ÷ 10,2 bar
Min value controlled (bar, litres)	<0,2% FS
Fluid temperature (min and max °C)	50 °C
Environmental temperature (min and max °C)	60 °C
Pneumatic ports	G1/4 and G3/8
Body material	aluminium - technopolymer
Supply voltage (V)	24 V DC
Command signal	0-10V; 4-20mA; 5 Digital bit; IO-Link
Hysteresis (% FS)	±0,5% FS
Absorption (W, VA)	circa 1W
Type of electrical connection	M12 8 Pin male
Protection class IP	IP65
Repeatability (% FS)	0,2% FS
Linearity (% FS)	±0,1% FS
Modularity	with Series MD

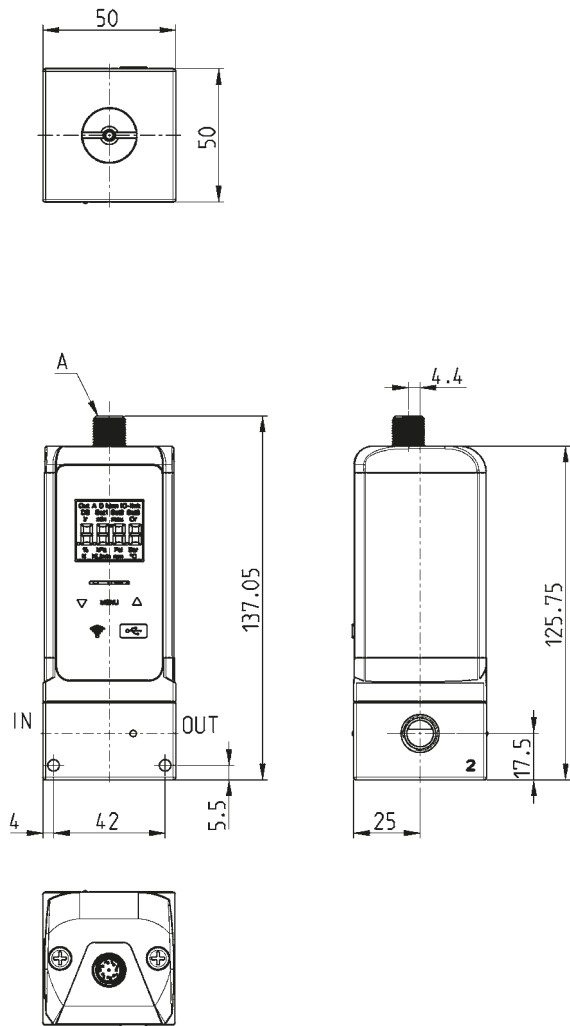
Coding example

PRE	1	04	-	D	D	5	I	2	E	-	00			
-----	---	----	---	---	---	---	---	---	---	---	----	--	--	--

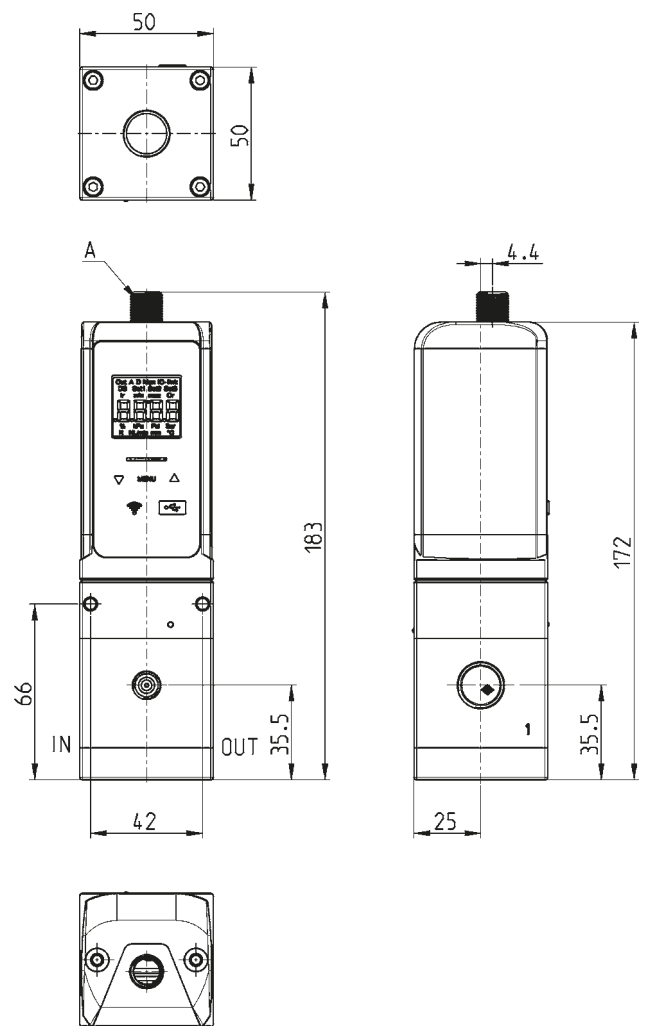
PRE	SERIES
1	SIZE: 1 = size 1 2 = size 2
04	CONNECTION PORT: 04 = G1/4 (size 1, 2) 38 = G3/8 (only size 2) M4 = G1/4 Manifold (only size 1) 14 = NPTF 1/4 (size 1, 2)
D	DISPLAY: E = with out display D = with display
D	WORKING PRESSURE (1 bar = 14,5 psi): B = 0-1 bar E = 0-4 bar D = 0-10,35 bar 2 = external sensor (with signal 0-10 V DC) 4 = external sensor (with signal 4-20 mA)
5	VALVE FUNCTIONS: 5 = 3/2 ways NC 6 = automatic drain valve
I	PILOT SUPPLY: I = internal E = external
2	INPUT SIGNAL SETPOINT: 2 = 0-10 V 4 = 4-20 mA D = Preset 5 bit I = IO-Link
E	OUTPUT DIGITAL SIGNAL FEEDBACK: E = error (Only with input signal 2;4;D) P = pressure switch (Only with input signal 2;4;D) W = windows (Only with input signal 2;4;D) N = no digital output (Only with input signal IO-Link)
00	CABLE LENGTH: 00 = no cable 2F = 2mt straight 2R = 2mt 90° cable 5F = 5mt straight 5R = 5mt 90° cable
	OXY COMPATIBLE: OX1 = suitable for Oxygen
	PID SETTINGS: = standard setting S.. = custom
	DIAGNOSTIC: = without diagnostic 0W = wireless connection DW = wireless connection+Advanced diagnostic 0D = with base diagnostic 1D = IO-Link+Advanced diagnostic

Dimensional characteristics

PRE1

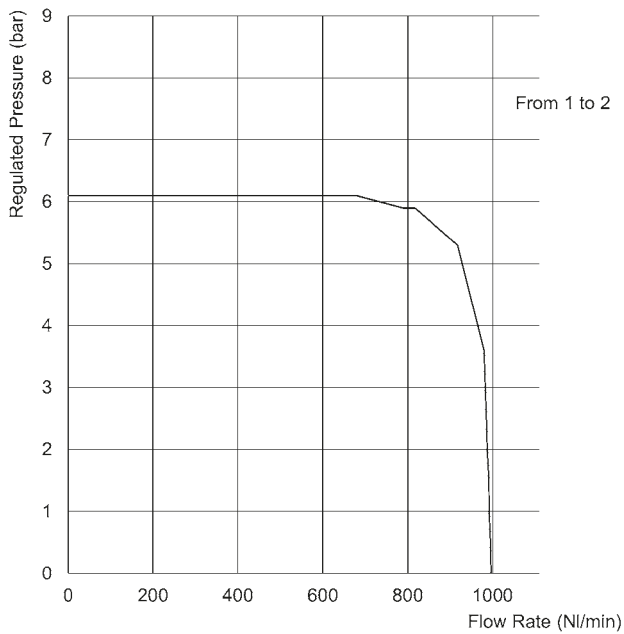


PRE2

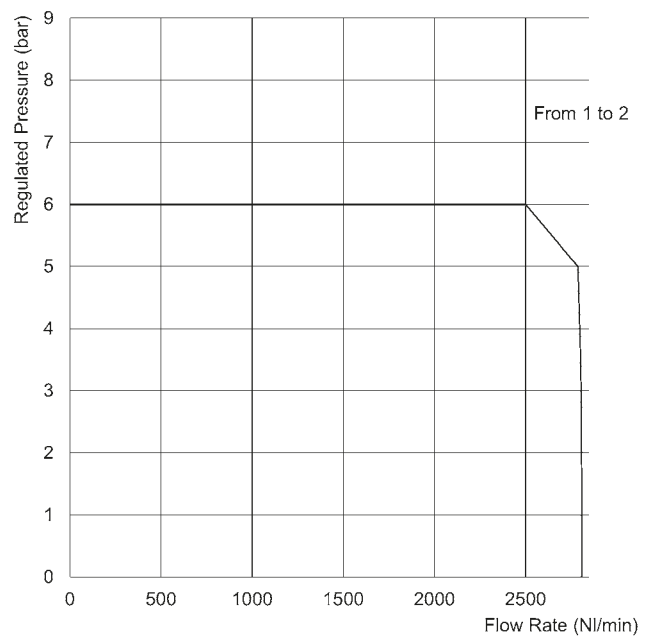


Flow diagrams

Flow Rate PRE 1



Flow Rate PRE 2



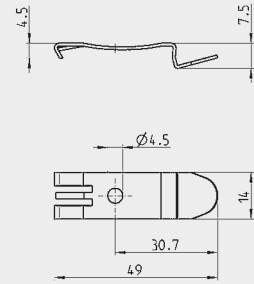
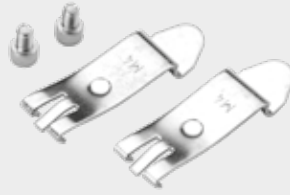
Accessories

Mounting brackets for DIN-rail Mod. PCF-EN531

DIN EN 50022 (7,5mm x 35mm - width 1)

Supplied with:
2x mounting brackets
2x screws M4x6 UNI 5931
2x nuts

Mod.
PCF-EN531

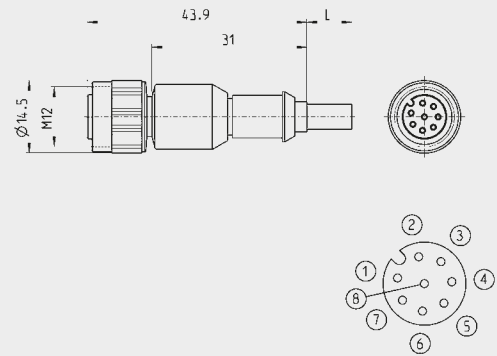


Cable with straight female connector M12 8 poles

For electrical supply
and commands

Mod.
CS-LF08HB-C200
CS-LF08HB-C500

Cable length
2 m
5 m

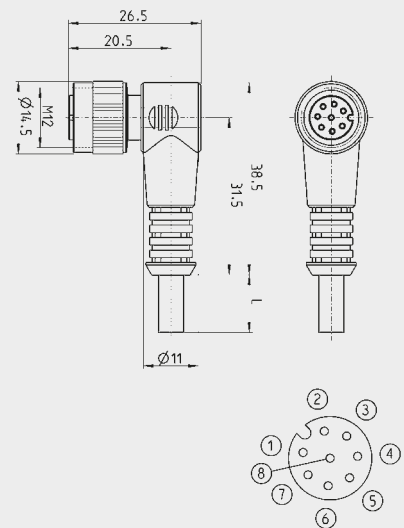


Cable with angular (90°) female connector M12 8 poles

For electric supply
and commands

Mod.
CS-LR08HB-C200
CS-LR08HB-C500

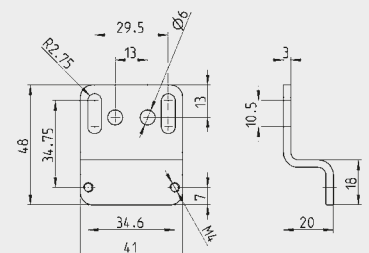
Cable length
2 m
5 m



Rear bracket Mod. MD1-ST/1

The kit is supplied with:
1x zinc-plated bracket
2x white zinc-plated screws M4x50

Mod.
MD1-ST/1



Contacts

Camozzi Automation S.p.A.

Società Unipersonale
Via Eritrea, 20/I
25126 Brescia
Italy
Tel. +39 030 37921
info@camozzi.com

Customer Service

Tel. +39 030 3792790
service@camozzi.com

Export Department

Tel. +39 030 3792262
sales@camozzi.com

